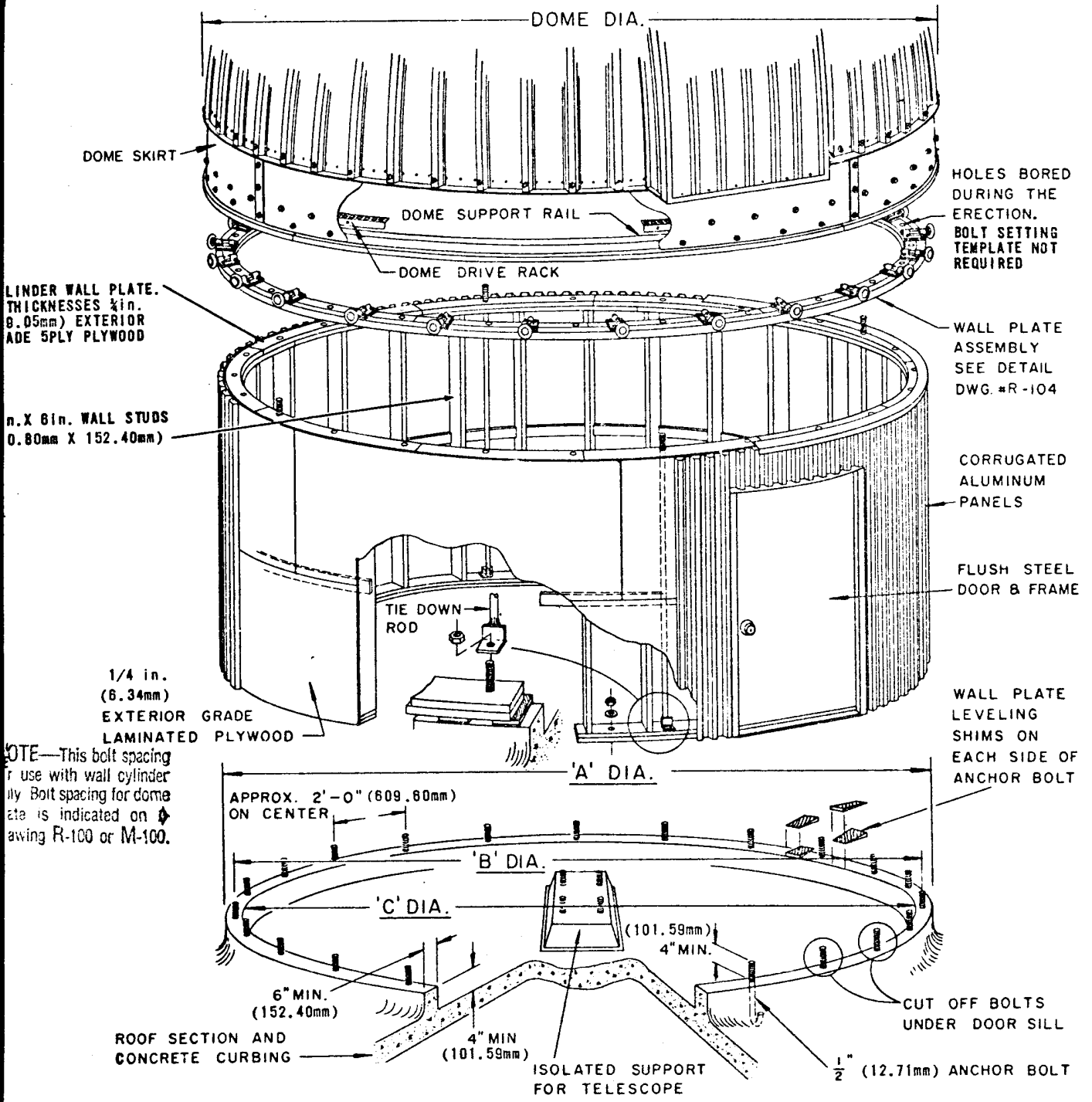
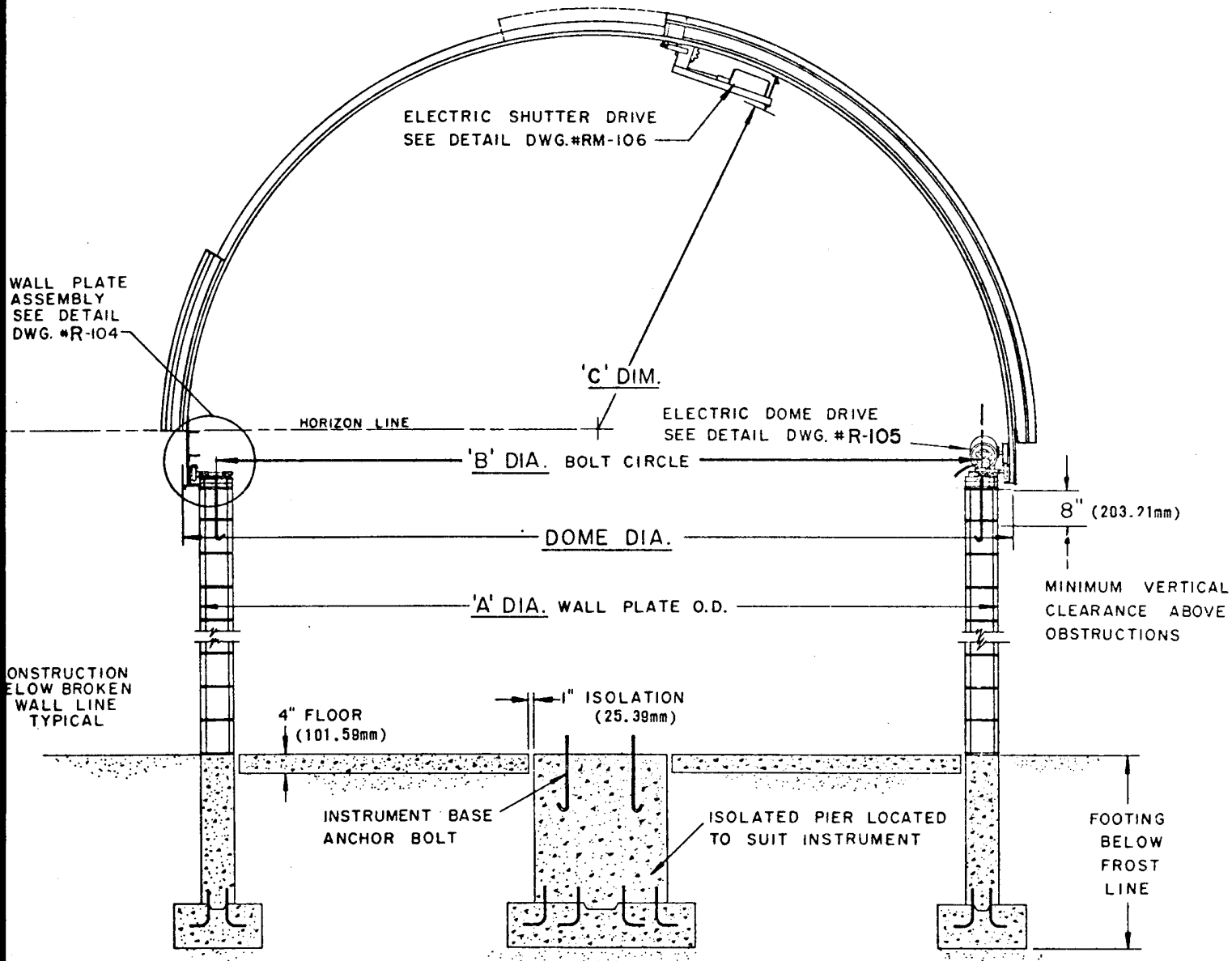


# SUPPORT WALL CYLINDER (WITH SUGGESTED CURBING)



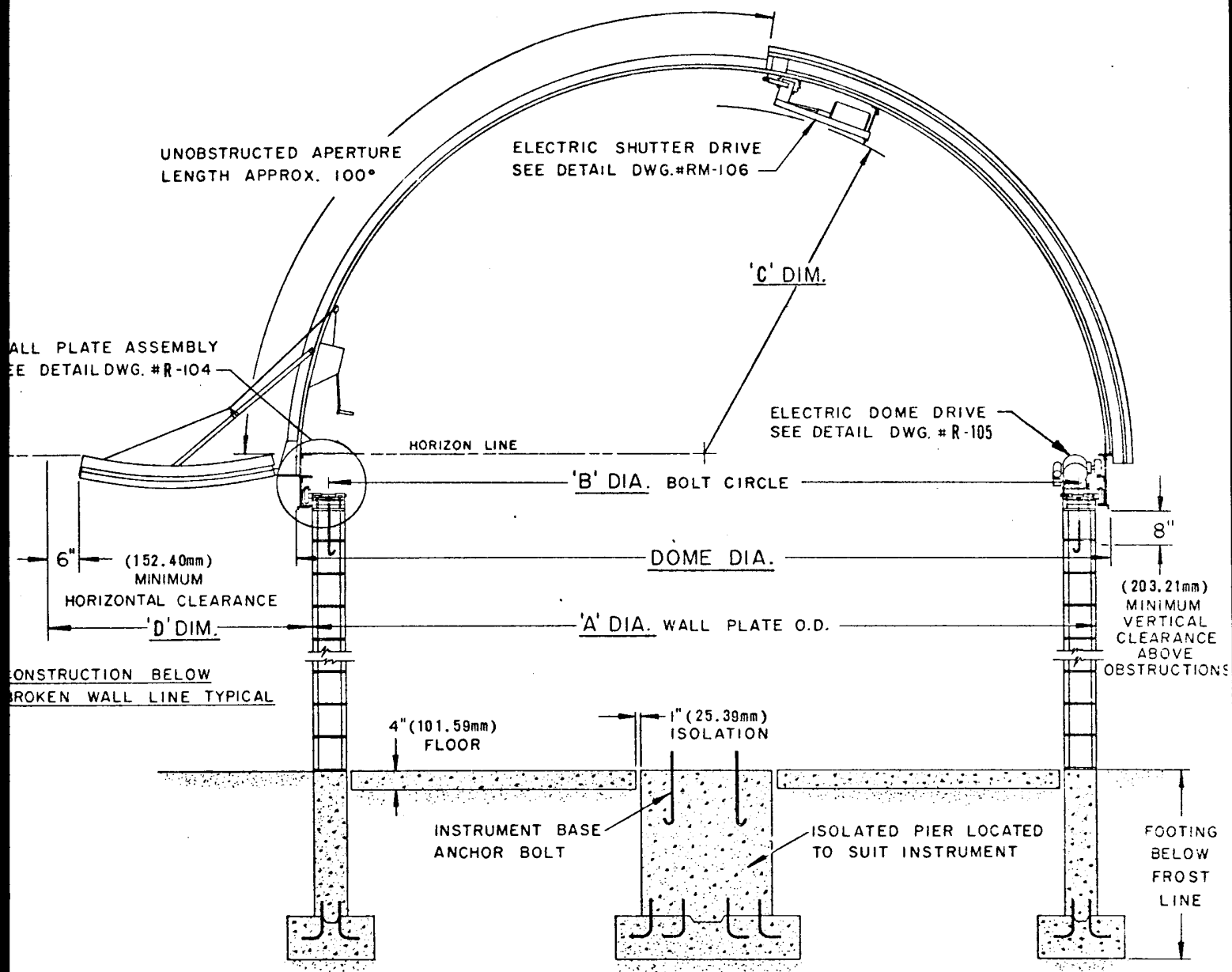
DOME DIAMETER	"A" DIAMETER	"B" DIAMETER	"C" DIAMETER
10'-6" (3.2004m)	10'-2" (3.0988m)	9'-8" (2.9464m)	9'-2" (2.7940m)
12'-6" (3.8100m)	12'-2" (3.7084m)	11'-8" (3.5560m)	11'-2" (3.4036m)
14'-6" (4.4196m)	14'-2" (4.3180m)	13'-8" (4.1656m)	13'-2" (4.0132m)
16'-6" (5.0292m)	16'-2" (4.9276m)	15'-8" (4.7752m)	15'-2" (4.6228m)
18'-6" (5.6388m)	18'-2" (5.5372m)	17'-8" (5.3848m)	17'-2" (5.2324m)

**MODEL 'R'**  
**WITH UP AND OVER WIND SCREEN**  
**(TYPE 'A' SHUTTER)**



DOMEST DIAMETER	"A" DIAMETER	"B" DIAMETER	"C" DIMENSION
10' - 6" (3.2004 m)	10' - 2" (3.0988 m)	9' - 8" (2.9464 m)	4' - 1" (1.2446 m)
12' - 6" (3.8100 m)	12' - 2" (3.7084 m)	11' - 8" (3.5560 m)	5' - 2" (1.5748 m)
14' - 6" (4.4196 m)	14' - 2" (4.3180 m)	13' - 8" (4.1656 m)	6' - 2" (1.8796 m)
16' - 6" (5.0292 m)	16' - 2" (4.9276 m)	15' - 8" (4.7752 m)	7' - 1" (2.1590 m)
18' - 6" (5.6388 m)	18' - 2" (5.5372 m)	17' - 8" (5.3848 m)	8' - 2" (2.4892 m)

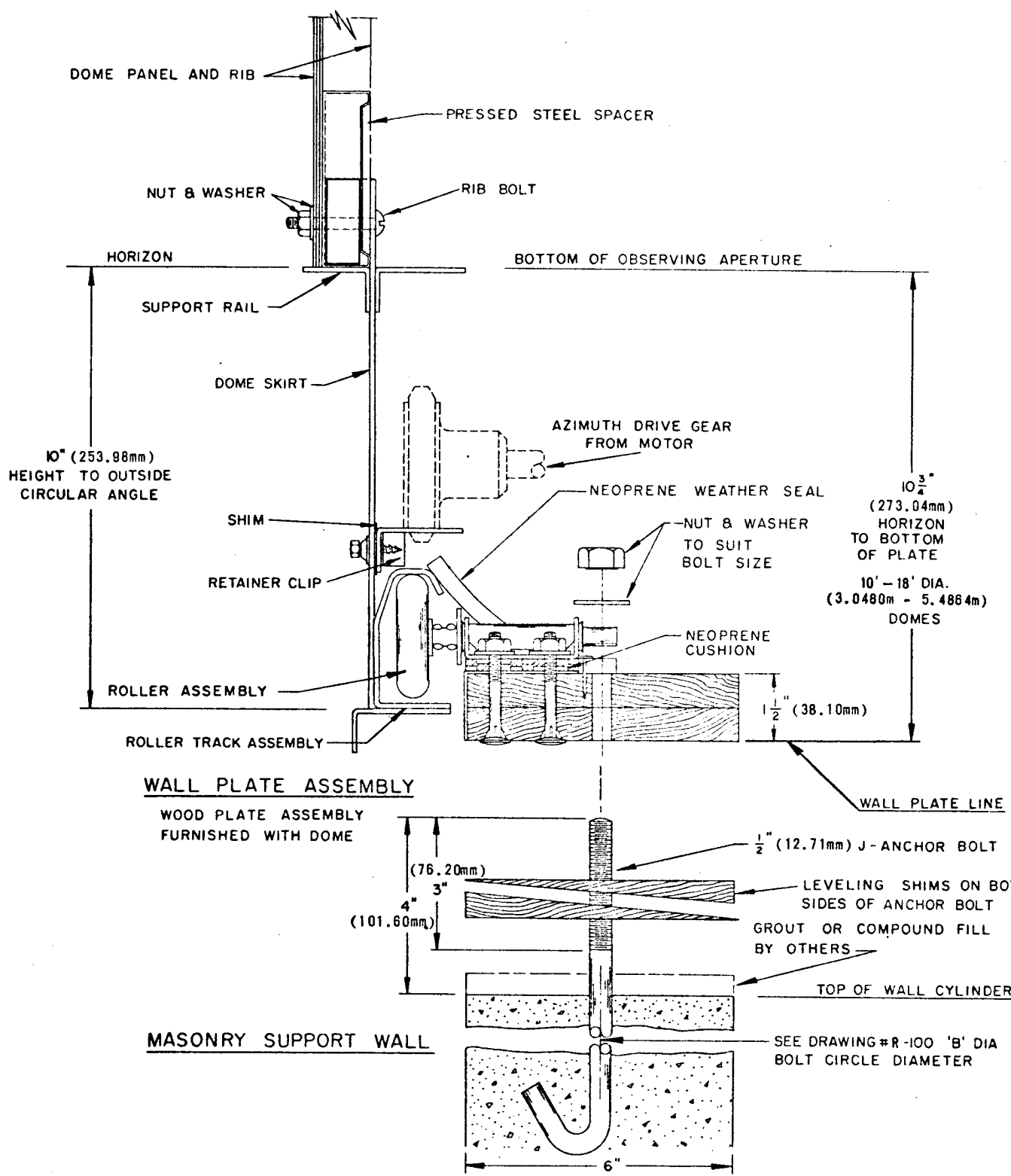
**MODEL 'R'  
WITH DROP OUT WIND SCREEN  
(TYPE 'B' SHUTTER)**



DOME DIAMETER	"A" DIAMETER	"B" DIAMETER	"C" DIMENSION	"D" DIMENSION
10' - 6" (3.2004 m)	10' - 2" (3.0988 m)	9' - 8" (2.9464 m)	4' - 1" (1.2446 m)	4' - 1" (1.2446 m)
12' - 6" (3.8100 m)	12' - 2" (3.7084 m)	11' - 8" (3.5560 m)	5' - 2" (1.5748 m)	4' - 4" (1.3208 m)
14' - 6" (4.4196 m)	14' - 2" (4.3180 m)	13' - 8" (4.1656 m)	6' - 2" (1.8796 m)	4' - 5" (1.3462 m)
16' - 6" (5.0292 m)	16' - 2" (4.9276 m)	15' - 8" (4.7752 m)	7' - 1" (2.1590 m)	5' - 2" (1.5748 m)
18' - 6" (5.6388 m)	18' - 2" (5.5372 m)	17' - 8" (5.3848 m)	8' - 2" (2.4892 m)	6' - 2" (1.8796 m)

**MODEL 'R' WALL PLATE  
AND ROLLER ASSEMBLY**

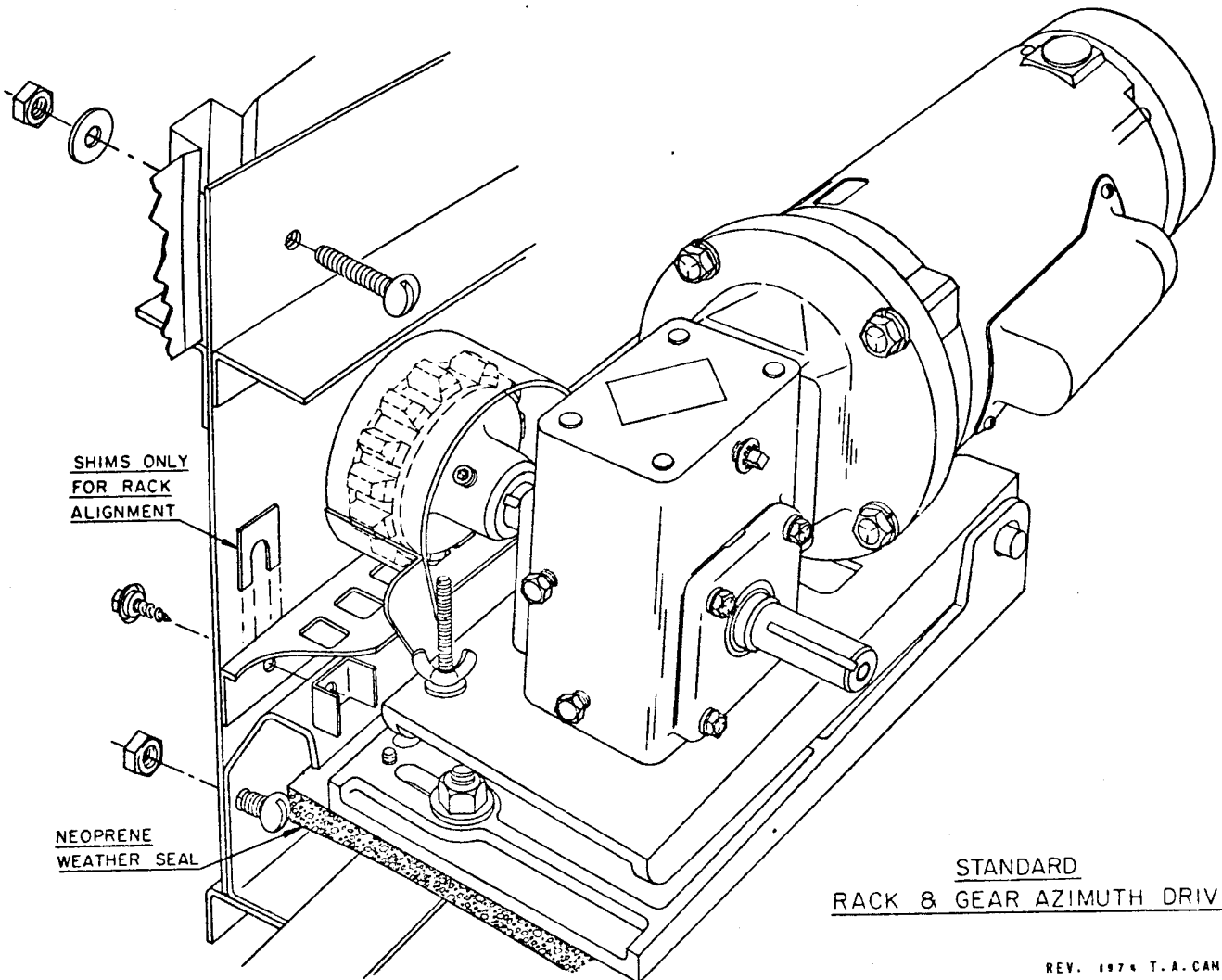
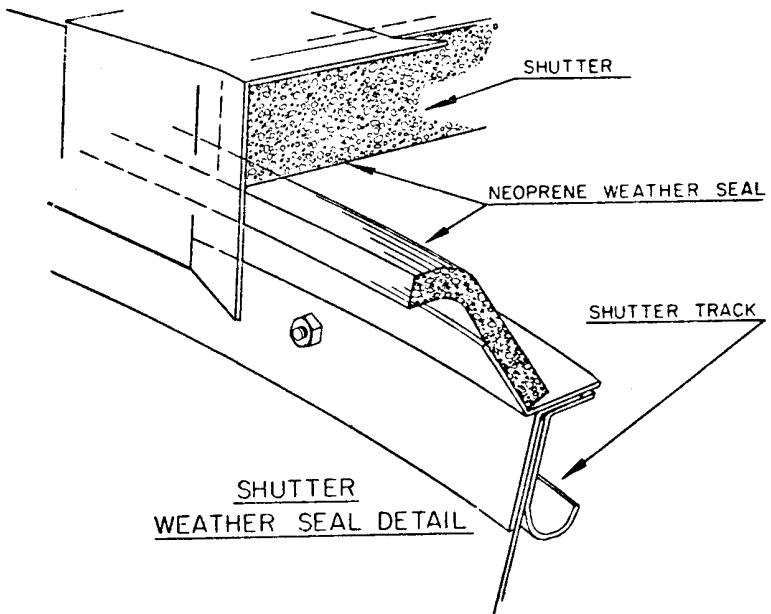
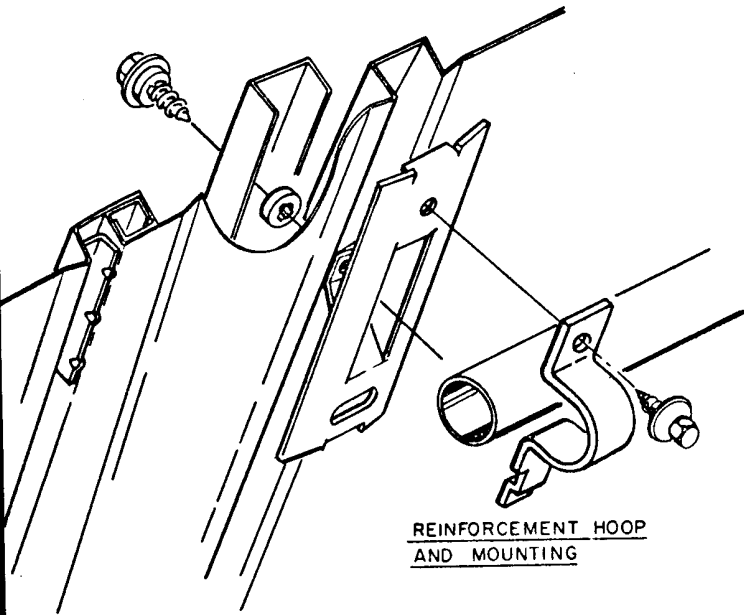
Drawing Number  
**R 104**



**ASHEDOME**  
PLAINFIELD, ILLINOIS U.S.A.

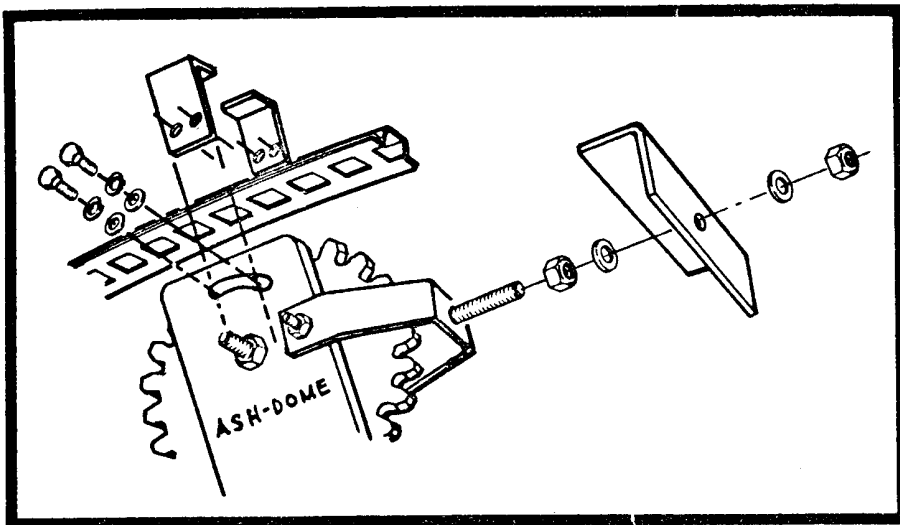
# MODEL 'R' DOME DETAILS

Drawing Number  
**R 105**

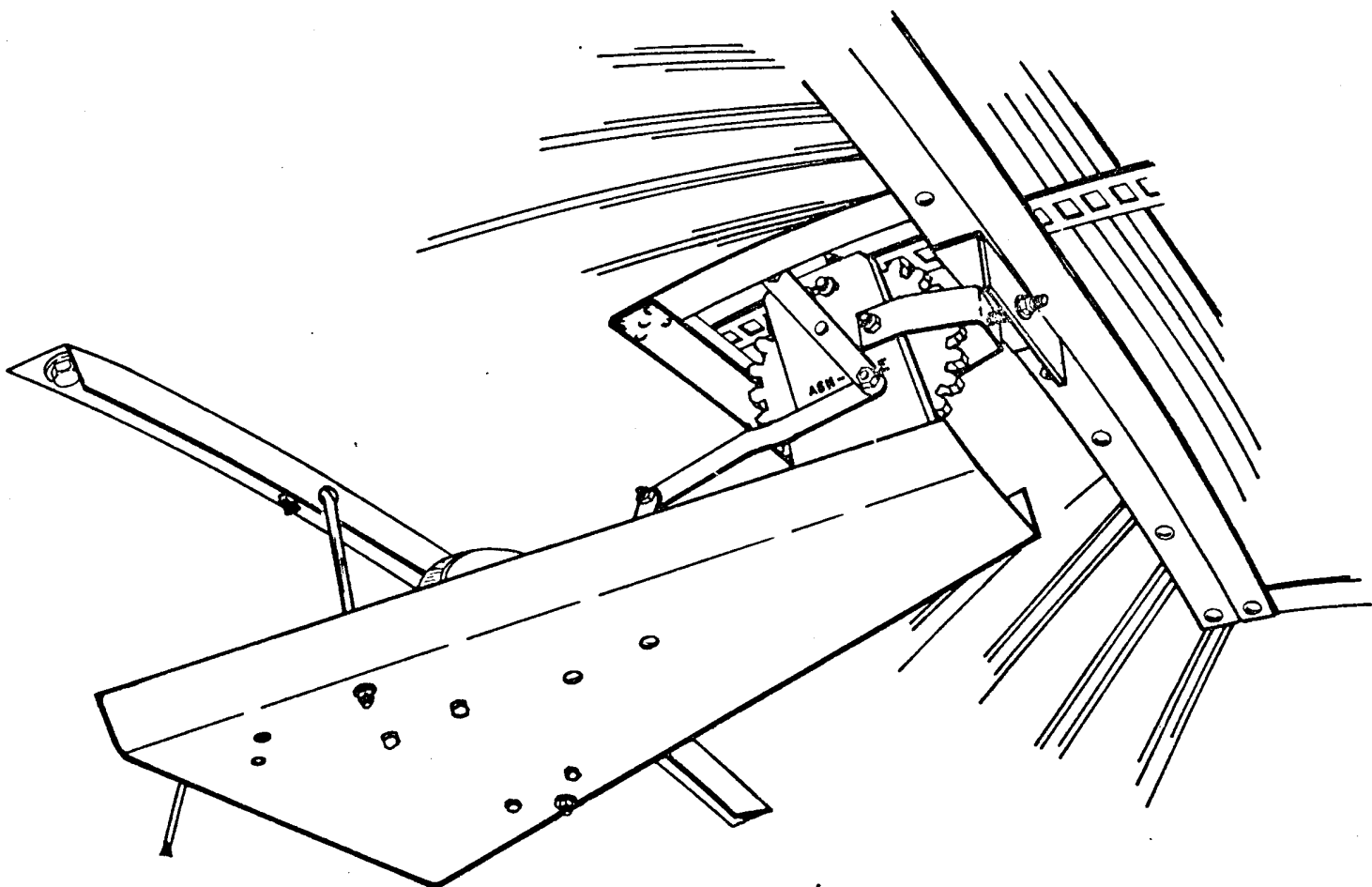


# ELECTRIC SHUTTER DRIVE DEVICE

Drawing Number  
**RM 106**

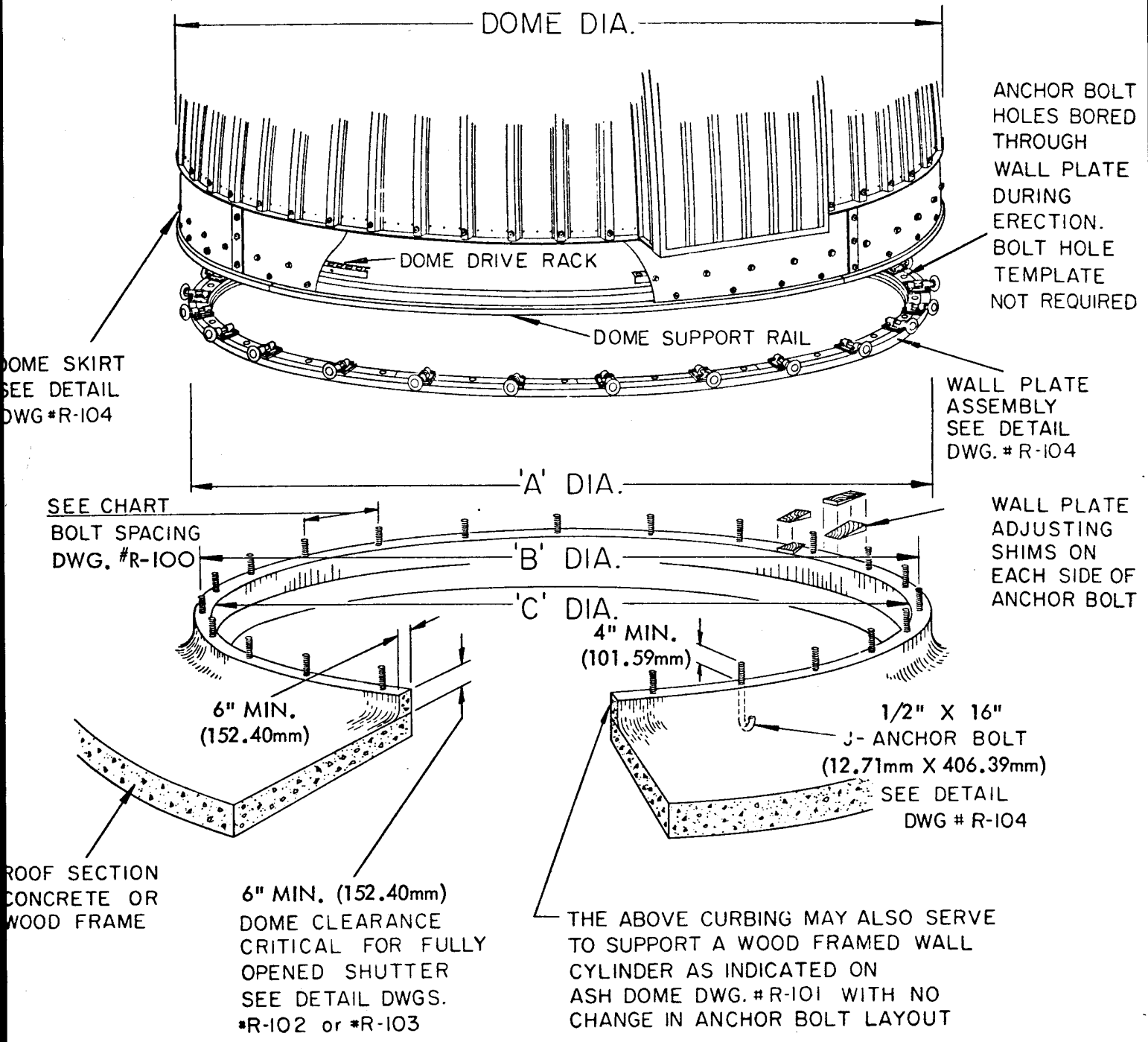


**SUSPENSION SYSTEM ASSEMBLY**



**SUGGESTED SUPPORT BASE  
AROUND OPENING IN FLAT ROOF**

Drawing Number  
**R 107**



DOME DIAMETER	"A" DIAMETER	"B" DIAMETER	"C" DIAMETER
10' - 6" (3.2004 m)	10' - 2" (3.0988 m)	9' - 8" (2.9464 m)	9' - 2" (2.7940 m)
12' - 6" (3.8100 m)	12' - 2" (3.7084 m)	11' - 8" (3.5560 m)	11' - 2" (3.4036 m)
14' - 6" (4.4196 m)	14' - 2" (4.3180 m)	13' - 8" (4.1656 m)	13' - 2" (4.0132 m)
16' - 6" (5.0292 m)	16' - 2" (4.9276 m)	15' - 8" (4.7752 m)	15' - 2" (4.6228 m)
18' - 6" (5.6388 m)	18' - 2" (5.5372 m)	17' - 8" (5.3848 m)	17' - 2" (5.2324 m)